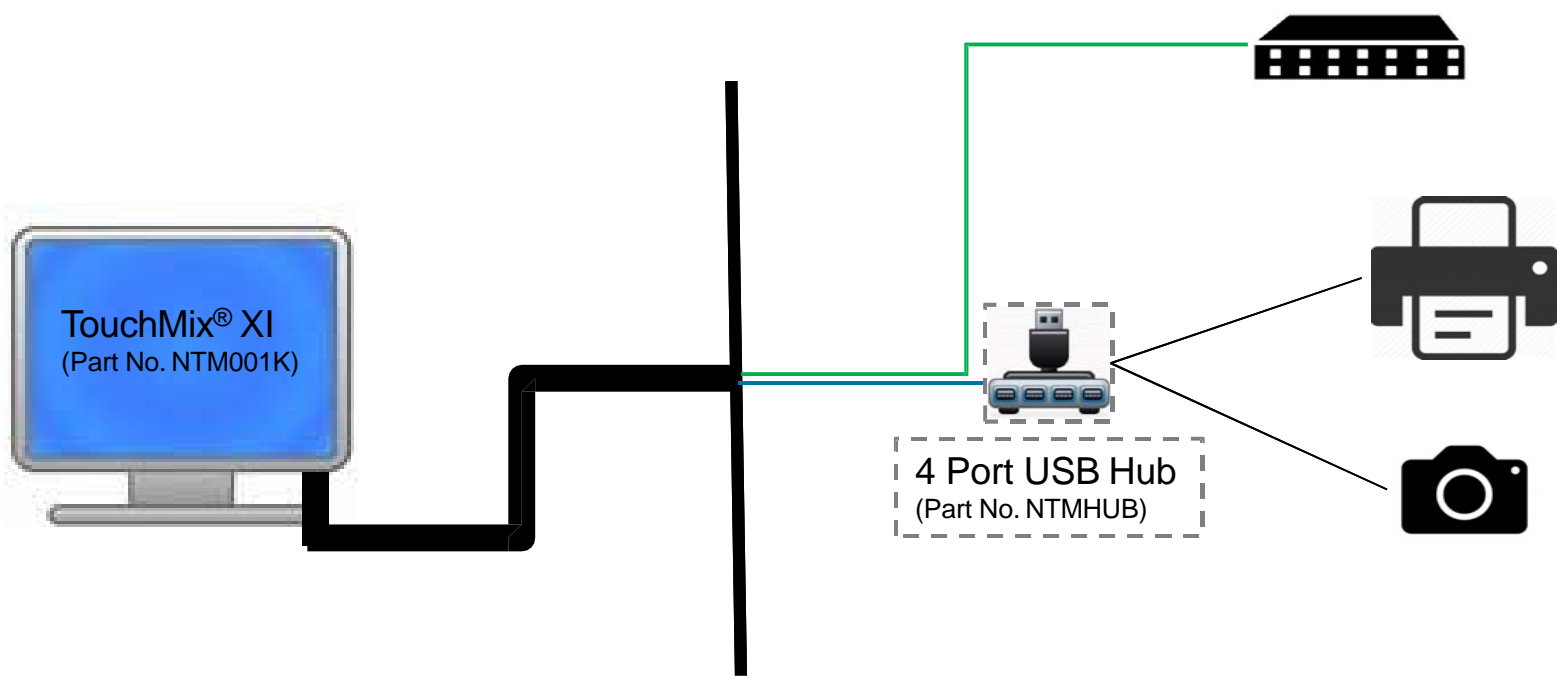


# RECOMMENDED: IU WIRED CONNECTION TO PERIPHERALS AND INTERNET



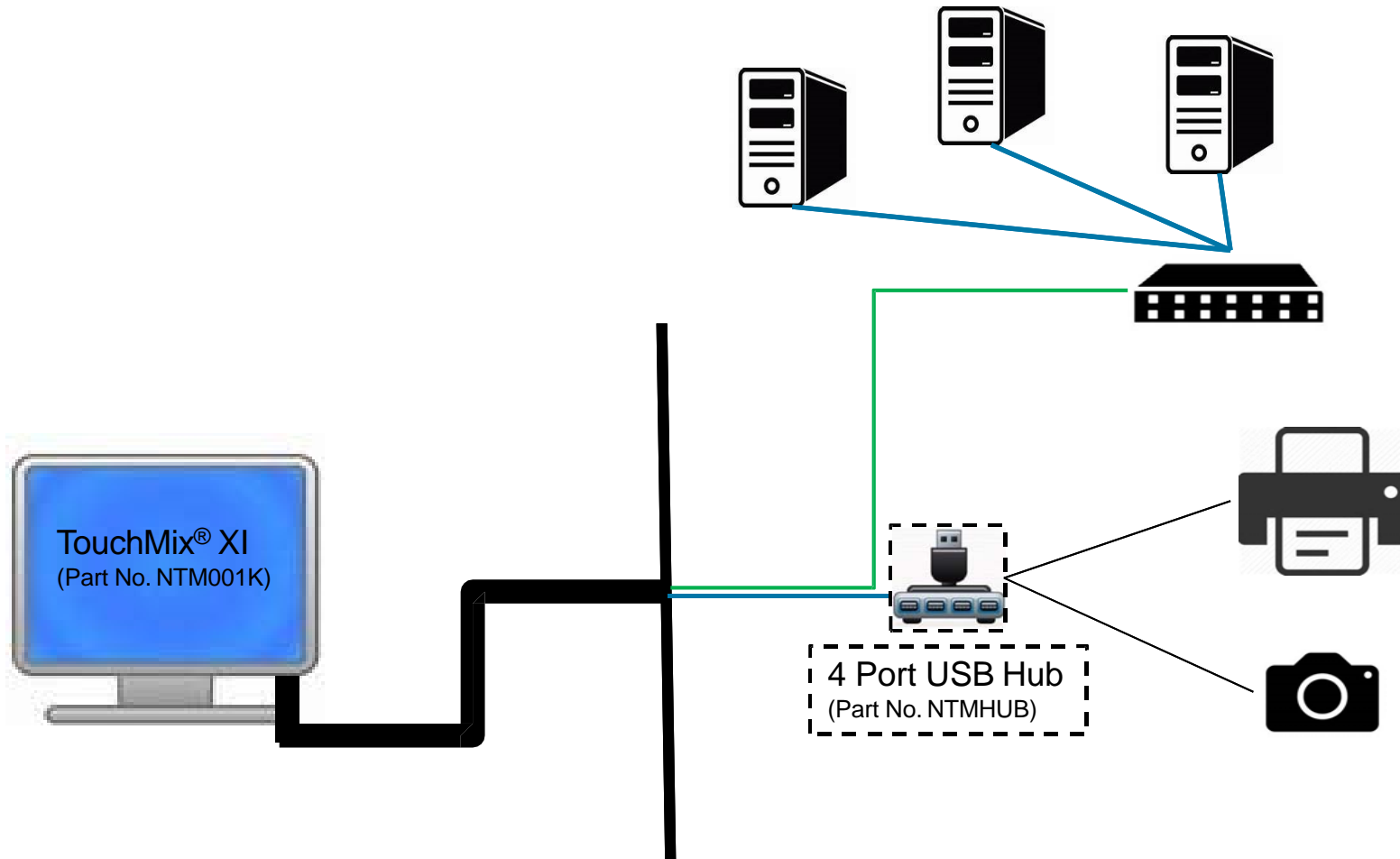
■ = Conduit  
(incl. w/NTM001)

— = USB cable  
(Part No. NTMUSBEXT)

— = Ethernet cable



# RECOMMENDED: IU WIRED CONNECTION TO PERIPHERALS AND ROUTER (SIMPLE NETWORK)



**—** = Conduit  
(incl. w/NTM001)

**—** = USB cable  
(Part No. NTMUSBEXT)

**—** = Ethernet cable



# STANDALONE - WIRELESS

